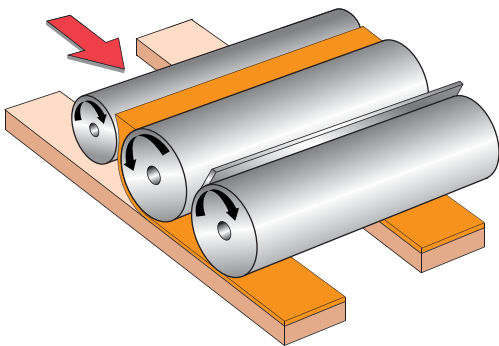


BASE FILLING COATER

底漆填補塗裝機



Base Filling Roller Coater

CBM TYPE HEAD

RR-W2CBM (2')

RR-W3CBM (3')

RR-W4CBM (4')

底漆填補塗裝機

CBM 頭部結構

RR-W2CBM (2')

RR-W3CBM (3')

RR-W4CBM (4')

MODEL	型 式	RR-W2CBM	RR-W3CBM	RR-W4CBM
Max. coating width	有效塗裝寬度	620mm	920mm	1350mm
Workpiece thickness range	工作物厚度	2-100mm	2-100mm	2-100mm
Min. coating length	最短塗裝長度	300mm	300mm	300mm
Feed speed	送料速度	2-35m/min	2-35m/min	2-35m/min
Coating roller sizes	塗佈輪尺寸	ø250x750mm	ø250x1050mm	ø250x1480mm
Doctor roller sizes	均佈輪尺寸	ø180x750mm	ø180x1050mm	ø180x1480mm
Filling roller sizes	填補輪尺寸	ø250x750mm	ø250x1050mm	ø250x1480mm
Coating roller motor	塗佈輪馬力	0.75kw	1.5kw	1.5kw
Doctor roller motor	均佈輪馬力	0.37kw	0.75kw	0.75kw
Filling roller motor	填補輪馬力	0.37kw	0.75kw	0.75kw
Feed motor	輸送馬力	0.75kw	1.5kw	1.5kw
Elevation motor	昇降馬力	0.37kw	0.37kw	0.37kw
Squeegee	刮刀	1 set	1 set	1 set
Machine dimensions (mm)	機械尺寸	1730x1680x1650	1730x1980x1650	1730x2280x1650
Net Weight	淨重	NW. 1500kgs	NW. 1670kgs	NW. 1960kgs
Gross Weight	毛重	GW. 1776kgs	GW. 1920kgs	GW. 2200Kgs