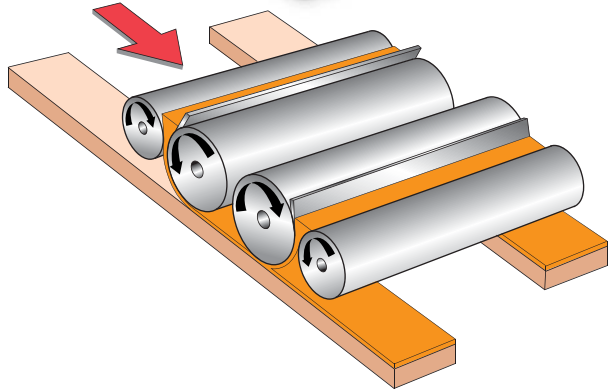


REVERSIBLE RUNNING TOP COATER

面漆正逆轉塗裝機



Roller Coater

CCT TYPE HEAD

RR-W2CCT (2')

RR-W3CCT (3')

RR-W4CCT (4')

滾輪式平面塗裝機

CCT 頭部結構

RR-W2CCT (2')

RR-W3CCT (3')

RR-W4CCT (4')

MODEL	型 式	RR-W2CCT	RR-W3CCT	RR-W4CCT
Max. coating width	有效塗裝寬度	620mm	920mm	1350mm
Workpiece thickness range	工作物厚度	2-100mm	2-100mm	2-100mm
Min. coating length	最短塗裝長度	300mm	300mm	300mm
Feed speed	送料速度	2-35m/min	2-35m/min	2-35m/min
Coating roller sizes	塗佈輪尺寸	ø250x750mm	ø250x1050mm	ø250x1480mm
Doctor roller sizes	均佈輪尺寸	ø180x750mm	ø180x1050mm	ø180x1480mm
Coating roller motor	塗佈輪馬力	0.75kw	0.75kw	1.5kw
Doctor roller motor	均佈輪馬力	0.37kw	0.75kw	0.75kw
Feed motor	輸送馬力	0.75kw	1.5kw	1.5kw
Elevation motor	昇降馬力	0.37kw	0.37kw	0.37kw
Squeegee	刮刀	2 sets	2 sets	2 sets
Pump	泵浦	3/4"	3/4"	3/4"
Machine dimensions (mm)	機械尺寸	1730x1680x1650	1730x1980x1650	1730x2280x1650
Net Weight	淨重	NW. 1724kgs	NW. 2000kgs	NW. 2260kgs
Gross Weight	毛重	GW. 1924kgs	GW. 2200kgs	GW. 2560Kgs

- Specifications and design characteristics are subject to change without prior notice.
- 本公司對產品規格，設計特性均不斷研究改進，上述規格若有變更，恕不另行通知。